

UNIX 2B

ROTATING BASKET METAL PARTS WASHER WITH TWO OR MORE STAGES OF TREATMENT

A range of machines for automatically washing small and medium sized parts.

Excellent quality cleaning is achieved through the slow rotation of the basket and special washing nozzles. The two tanks with dedicated pumps enable washing and rinsing to be carried out automatically.

The PLC enables the treatment to be customized.



UNIX 2B

UNIX 2B 80 | 100 | 120

LOW TEMPERATURE **LT**

Maximum temperature setting 60°C.

HIGH TEMPERATURE **HT**

Maximum temperature setting 80°C.

EQUIPMENT

Standard

- Timed vapour extraction.
- Reinforced basket made of electro-welded Aisi 304 stainless steel mesh with external edge.
- Minimum level probe of liquid in the tank to protect the pump and resistance.
- Maximum level probe of liquid in the tank and automatic water filling solenoid valve.
- Electric pump made of Aisi 304 Stainless Steel with special gaskets.
- Box filter with 6 hat filters made of Aisi 304 Stainless Steel for pre-filtering the liquid returning to the tank.
- Pump intake filter made of Aisi 304 Stainless Steel
- Safety limit switch on cover opening
- Tank edge gasket made of EPDM
- Electrical system IP65, touch-screen control PLC (DGT V4)

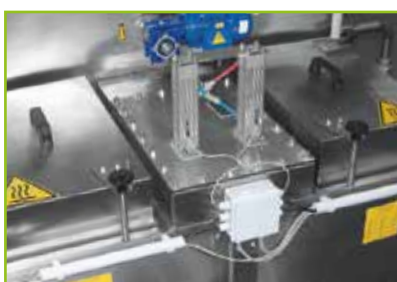
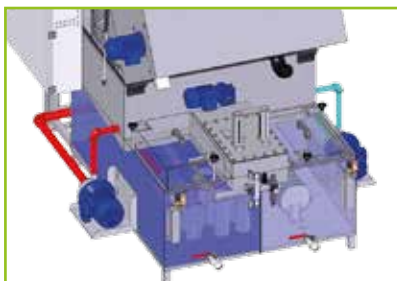
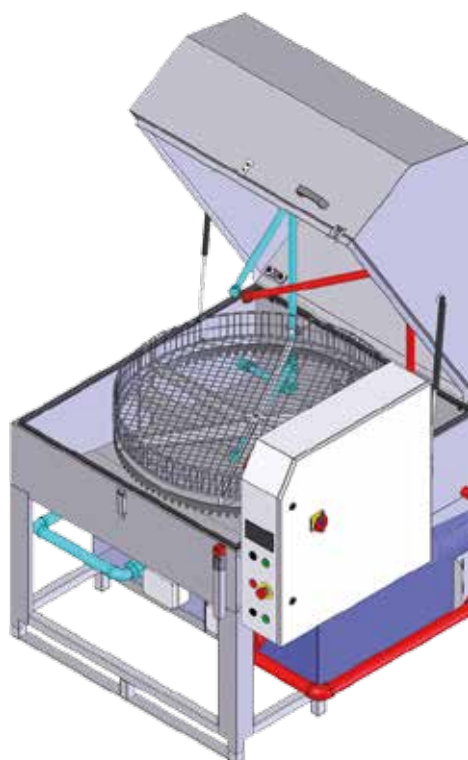
- Weekly schedule to turn on the heating and the oil separator (if installed)
- Electrical resistance made of Incoloy Stainless Steel
- Electrical rotation of the basket via gearmotor
- Structure and sheet metalwork made of Aisi 304 Stainless Steel
- Laser machined washing and rinsing pipes made of Aisi 304 Stainless Steel

HT model

- Compliant thermal insulation with Stainless Steel panels
- Compliant safety limit switch with cover opening lock during the operating cycle

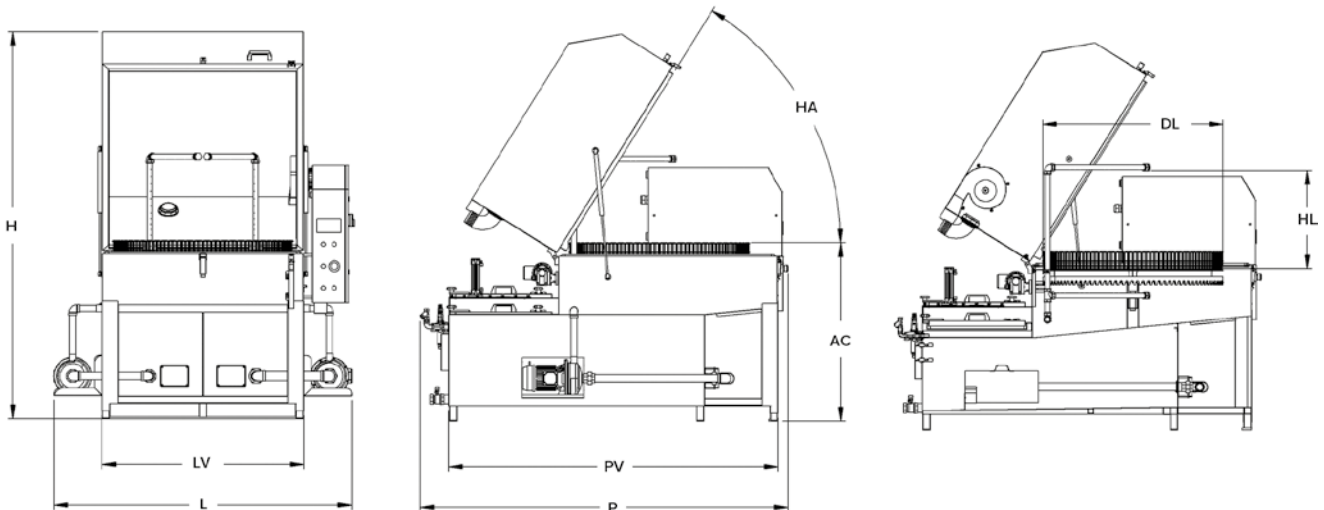
TECHNICAL DATA

TECHNICAL DATA	UNIX 80 2B	UNIX 100 2B	UNIX 120 2B
Overall dimensions when closed (L x P x H)	158 x 178 x 152 cm	165 x 185 x 158 cm	185 x 208 x 165 cm
Overall dimensions when open (L x P x H)	158 x 178 x 206 cm	165 x 185 x 216 cm	185 x 208 x 231 cm
Washing capacity (Ø x HL)	Ø 78 x 54 cm	Ø 98 x 54 cm	Ø 117 x 70 cm
Loading capacity	100 Kg	200 Kg	300 Kg
Washing tank capacity	240 l	270 l	350 l
Rinsing tank capacity	180 l	270 l	350 l
Washing pump	0,55 kw 2,5 bar 200 l/min	1,5 kw 2,5 bar 200 l/min	1,5 kw 2,5 bar 200 l/min
High pressure washing pump	2,2 kw 6 bar 200 l/min	3 kw 6 bar 250 l/min	3 kw 6 bar 300 l/min
Rinsing pump	0,55 kw 2,5 bar 200 l/min	0,55 kw 2 bar 200 l/min	0,55 kw 2 bar 200 l/min
Washing heating	8,0 kw	8,0 kw	10,0 kw
Rinsing liquid heating	6,0 kw	8,0 kw	10,0 kw
Mechanical rotation	0,09 kw	0,09 kw	0,09 kw
Vapour extractor	0,25 kw 320 m ³ /h	0,25 kw 320 m ³ /h	0,25 kw 320 m ³ /h
Disc oil separator	0,09 kw	0,09 kw	0,09 kw
Vapour condenser	0,20 kw	0,20 kw	0,20 kw
Tank emptying pump	0,37 kw	0,37 kw	0,37 kw
Drying	4,5 kw	4,5 kw	4,5 kw
Blowing (compressed air, 6 bar)	300 m ³ /h	300 m ³ /h	300 m ³ /h
Power supply	3Ph + N + PE	3Ph + N + PE	3Ph + N + PE
Supply voltage	400V 50Hz	400V 50Hz	400V 50Hz



DIMENSIONS

DIMENSIONS	UNIX 80 2B	UNIX 100 2B	UNIX 120 2B
L (Width)	158 cm	178 cm	198 cm
P (Depth)	178 cm	195 cm	210 cm
H (Height)	206 cm	216 cm	237 cm
DL (Washing diameter)	78 cm	97 cm	117 cm
HL (Washing height)	54 cm	54 cm	70 cm
AC (Load height)	93 cm	93 cm	93 cm
HA (Opening angle)	60°	60°	60°



CONNECTIONS

CONNECTIONS	UNIX 80 2B	UNIX 100 2B	UNIX 120 2B
Tank drainage outlet	F 1" gas	F 1" gas	F 1" gas
Oil separator drainage outlet	M 1/2" gas	M 1/2" gas	M 1/2" gas
Vapour extraction outlet	Ø 80 mm	Ø 80 mm	Ø 80 mm
Water filling solenoid valve	F 3/4" gas	F 3/4" gas	F 3/4" gas
Compressed air blowing solenoid valve	F 3/4" gas	F 3/4" gas	F 3/4" gas
Compressed air commands inlet	F 1/4" gas	F 1/4" gas	F 1/4" gas
Emptying pump	F 1"1/4 gas	F 1"1/4 gas	F 1"1/4 gas

ACCESSORIES

- Pneumatic opening and closing of the cover with two-hand safety control [1]
- Drying with resistance and air-blade side channel blower [2]
- External trolley made of Aisi 304 Stainless Steel [3]
- Thermal insulation of bag filter
- Thermal insulation of parallel mounted duplex bag filter
- Electric vapour condenser for lowering the quantity of vapour given off (page 39)
- Disoil P LT or HT (page 40)
- Disc oil separator with dedicated gearmotor
- Double piping greater than half the height, can be excluded
- Chemical product doser
- Fine mesh box filters
- Stainless Steel bag filter on the pump delivery pipe
- Double Stainless Steel bag filter mounted in parallel on the pump delivery pipe
- Teflon and Viton gaskets
- Manual washing and blowing with hoses and washing gun [4]
- PLC Siemens S1200 - HMI Siemens KTP touch-screen
- High pressure washing pump
- Tank emptying pump
- Customizations for use with abrasive contaminants in the washing fluid
- Customizations for use with strongly caustic chemical products
- Rinsing with mains water with independent pipes and separate direct drain outlet
- Pickling of internal welding
- Blowing with compressed air and independent pipes
- System retention tank made of Aisi 304 Stainless Steel

